

PLEASE CHECK WWW.MOLEX.COM FOR LATEST PART INFORMATION

Part Number: [0357307110](#)
Status: **Active**
Description: 1.30mm (.051") Diameter Socket Terminal, Brass, 0.25mm (.010") Thickness, Wire Range 16-20 AWG (1.31-0.52mm²), Pre-Tin Plated

Documents:

Drawing (PDF)	Product Specification PS-35953-001 (PDF)
Product Specification PS-35730-002 (PDF)	RoHS Certificate of Compliance (PDF)

General

Product Family	Crimp Terminals
Series	35730
Crimp Quality Equipment	Yes
Product Name	N/A

Physical

Gender	Female
Material - Metal	Brass
Material - Plating Mating	Tin
Material - Plating Termination	Tin
Packaging Type	Reel
Termination Interface: Style	Crimp or Compression
Wire Insulation Diameter	1.90-3.40mm (.075-.134")
Wire Size AWG	16, 18, 20
Wire Size mm ²	N/A

Material Info

Reference - Drawing Numbers

Product Specification	PS-35730-002, PS-35953-001
Sales Drawing	SD-35730-002, SD-35730-6910

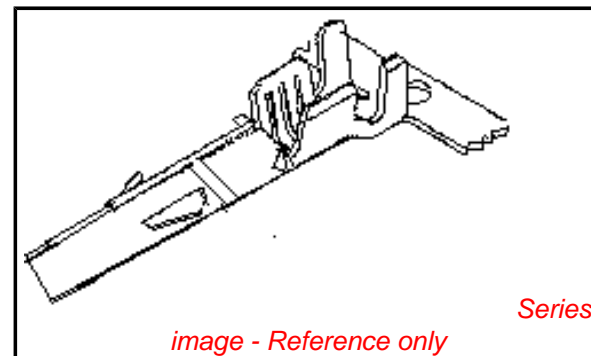
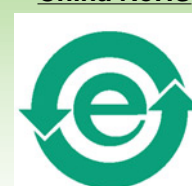


image - Reference only

EU RoHS

**ELV and RoHS
Compliant**
**REACH SVHC
Contains SVHC: No**
**Halogen-Free
Status**
Halogen-Free

China RoHS



**Need more information on product
environmental compliance?**

Email productcompliance@molex.com
 For a multiple part number RoHS Certificate of Compliance, [click here](#)

Please visit the [Contact Us](#) section for any non-product compliance questions.

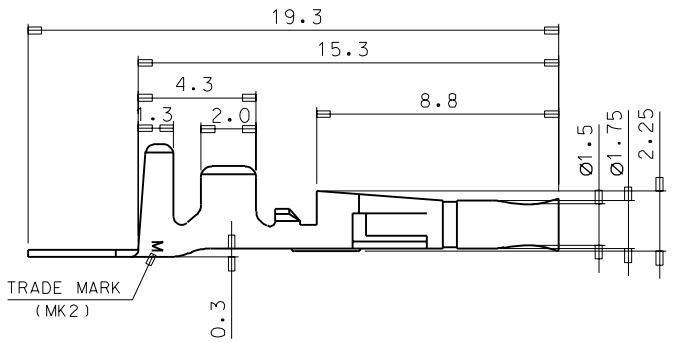
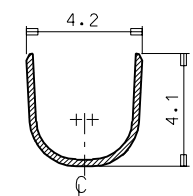
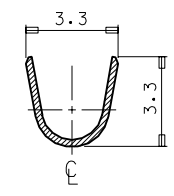
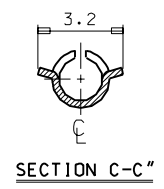
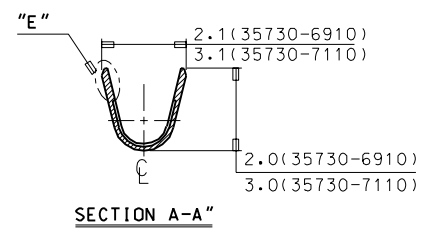
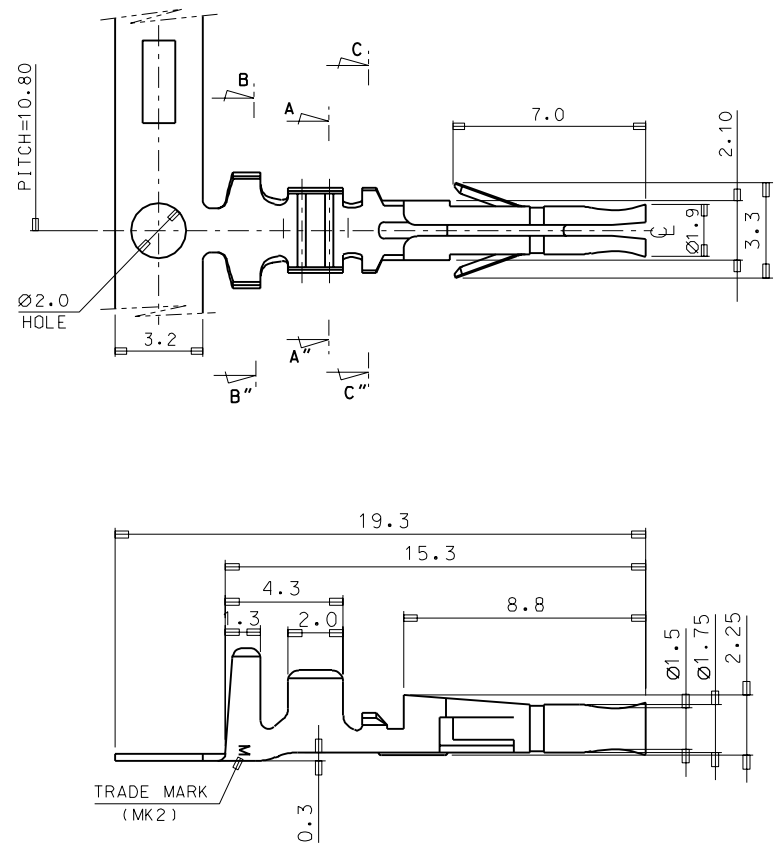
Search Parts in this Series

[35730Series](#)

Mates With

[35730-7010](#)

DWG. NO. SD-35730-02
 PROJECT NO.
 SIMILAR ITEM
 DO NOT SCALE DRAWING DIMENSION IN METRIC



ENG. NO.	MATERIAL NO.	WIRE RANGE	INSUL. RANGE
35730-6910	357306910	AWG #26-#20	1.3-2.6
35730-7110	357307110	AWG #20-#16	1.9-3.4

- NOTES
1. MATERIAL: BRASS, 0.25THICKNESS
 2. PLATING: PRE-TIN PLATING
 3. MATING TERMINAL: 35730-6810/7010
 4. RECOMMENDED LENGTH OF WIRE STRIP IS 3.0-3.5

EC NO. KOR1999-0102 DRWN: H.C.RHO.99/12/29 CHK: APPR:	QUALITY SYMBOLS MAJOR = I CRITICAL = O C = 0	GENERAL TOLERANCES: (UNLESS SPECIFIED) mm INCH		SCALE: 6:1	DESIGN UNITS: <input checked="" type="checkbox"/> mm <input type="checkbox"/> INCH	DIMENSIONS: <input type="checkbox"/> mm <input type="checkbox"/> INCH <input checked="" type="checkbox"/> mm ONLY	SHT REV
		4 PLACES ±0. ±. 3 PLACES ±0. ±. 2 PLACES ±0.20 ±. 1 PLACE ±0.30 ±.	DRAWN BY & DATE W.Y.YANG 93/11/02	TITLE: Ø 1.3 SOCKET TERMINAL		CHECKED BY & DATE B.K.CHOI 93/11/02	
REV	DESCRIPTION	ANGULAR: ± °		APPROVED BY & DATE B.K.CHOI 93/11/02		MOLEX INCORPORATED KOREA	
DRAFT WHERE APPLICABLE MUST REMAIN WITHIN DIMENSIONS		CAD FILENAME E7306910.DGN		MATERIAL NO. SEE TABLE	DRAWING NO. SD-35730-02	SHEET NO. 10F1	
THIS DRAWING CONTAINS INFORMATION THAT IS PROPRIETARY TO MOLEX INCORPORATED AND SHOULD NOT BE USED WITHOUT WRITTEN PERMISSION.						SIZE B	

DWG. NO.
SD-35730-6910

SIMILAR ITEM

PROJECT NO.

c

B

DO NOT SCALE DRAWING
DIMENSION IN METRIC

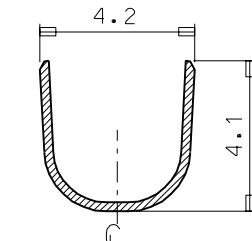
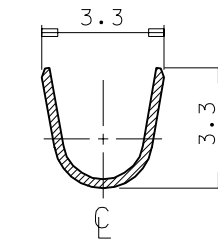
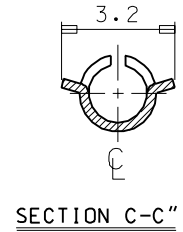
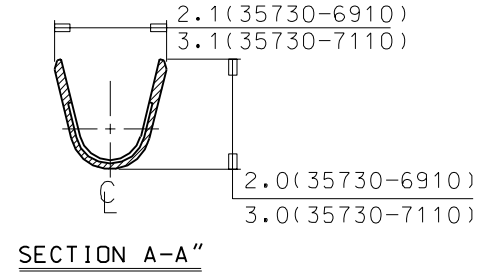
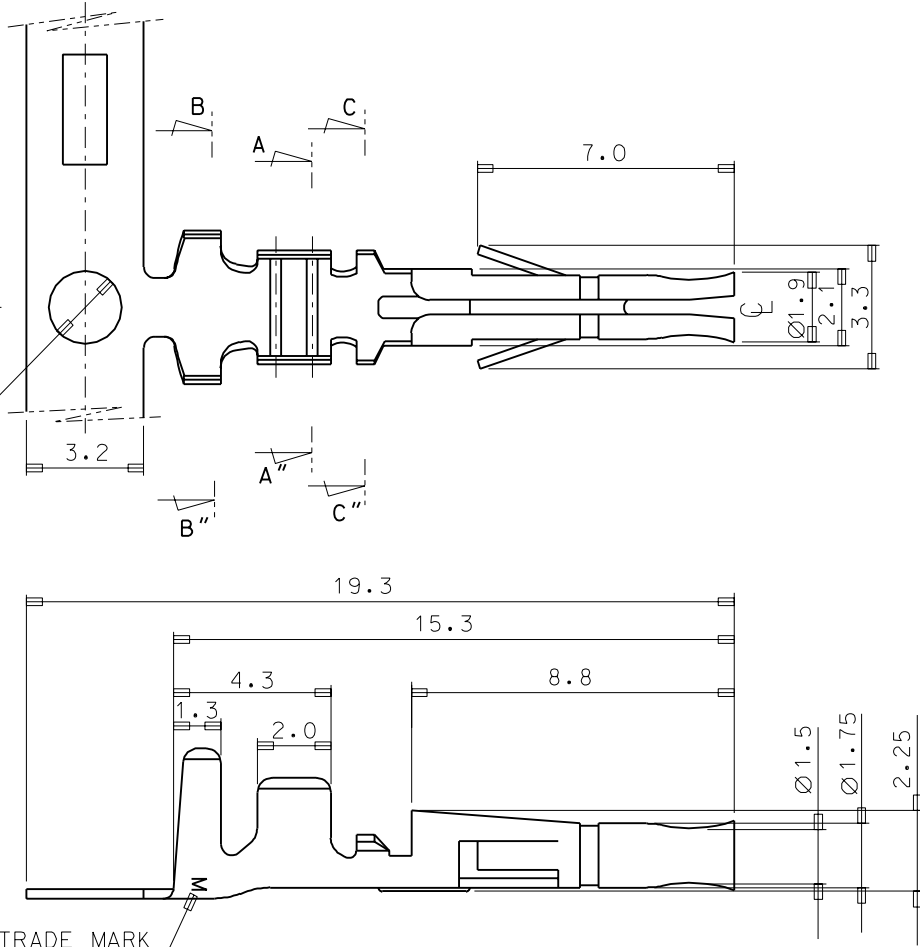
PITCH=10.80

Ø2.0
HOLE

TRADE MARK
(MK2)

NOTES

1. MATERIAL: BRASS , 0.25THICKNESS
2. PLATING: PRE-TIN PLATING
3. MATING TERMINAL: 35730-6810/7010
4. RECOMMENDED LENGTH OF WIRE STRIP IS 3.0-3.5



SECTION B-B"
(35730-6910)

SECTION B-B"
(35730-7110)

ENG. NO.	WIRE RANGE	INSUL. RANGE
35730-6910	AWG #26-#20	1.3-2.6
35730-7110	AWG #20-#16	1.9-3.4

REVISED EC NO. KOR1998-0023 DRAWN: W.Y. YANG 98/05/15 CHK: APPR:	DESCRIPTION MAJOR CRITICAL	QUALITY SYMBOLS		GENERAL TOLERANCES: (UNLESS SPECIFIED)		SCALE 8:1	DESIGN UNITS <input checked="" type="checkbox"/> mm <input type="checkbox"/> INCH	DIMENSIONS: <input type="checkbox"/> mm <input type="checkbox"/> INCH <input checked="" type="checkbox"/> mm ONLY		SHT	REV
		4 PLACES	±0.	±.	mm	INCH	DRAWN BY & DATE W.Y. YANG 93/11/02	THIRD ANGLE PROJECTION			
REV	B	3 PLACES	±0.	±.	mm	INCH	CHECKED BY & DATE B.K. CHOI 93/11/02	TITLE: Ø 1.3 SOCKET TERMINAL			
		2 PLACES	±0.20	±.	mm	INCH	APPROVED BY & DATE B.K. CHOI 93/11/02	MOLEX INCORPORATED KOREA			
		1 PLACE	±0.30	±.	mm	INCH	CAD FILENAME S7306910.DGN	MATERIAL NO. SEE TABLE	DRAWING NO. SD-35730-6910	SHEET NO. 10F1	
DRAFT WHERE APPLICABLE MUST REMAIN WITHIN DIMENSIONS						THIS DRAWING CONTAINS INFORMATION THAT IS PROPRIETARY TO MOLEX INCORPORATED AND SHOULD NOT BE USED WITHOUT WRITTEN PERMISSION.					